

FEATURES

- Full Four-Quadrant Multiplication
- Excellent Stability Over Temperature and Time
- Guaranteed Monotonic
- TTL/5 V CMOS Compatible
- Low Sensitivity to Output Amplifier V_{OS}
- Low Glitch Energy
- 16-Bit Version: MP7616

GENERAL DESCRIPTION

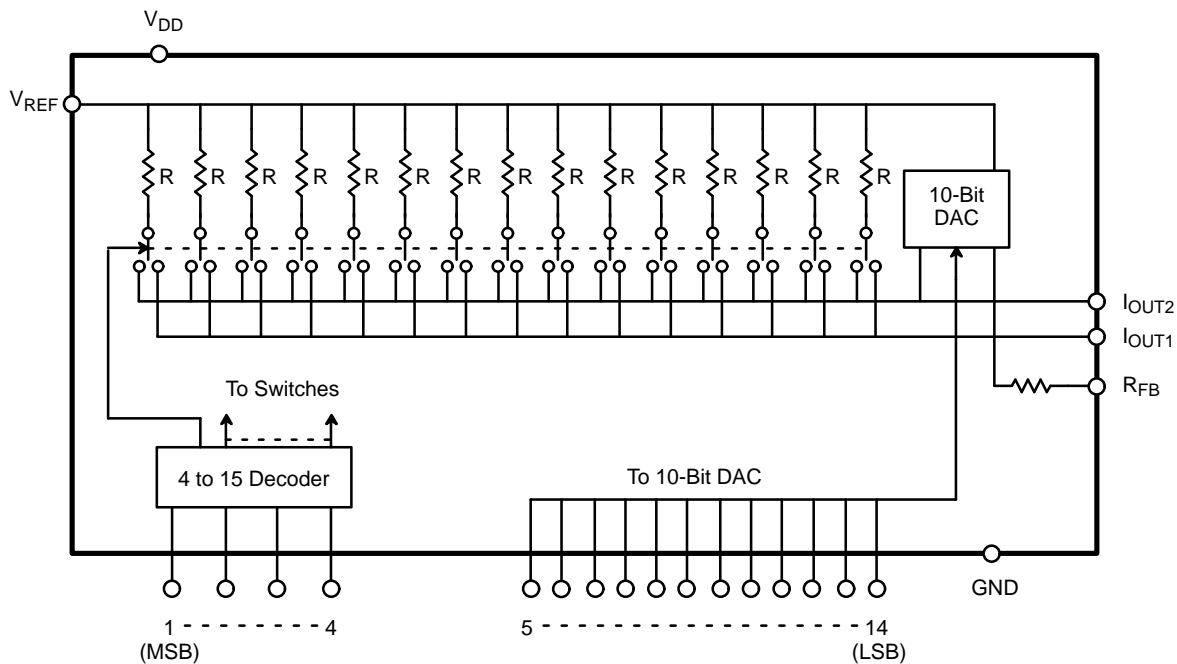
The MP7614 is a high density 14-bit CMOS multiplying Digital-to-Analog Converter. Silicon nitride passivation and untrimmed silicon chromium resistors have been combined to provide long term stability and reliability. Using the most significant bit (MSB) segmentation technique, the MP7614 features 13-bit (0.012%) differential and 12-bit (0.01%) integral linearity.

To achieve 13-bit linearity without laser trim, the MP7614 digitally decodes the four MSB's into 15 equal current sources,

rather than the standard binary-weighted sources. Each resistor contributes only 1/16 full scale output thus reducing the matching accuracy requirement of the resistor and CMOS switches from 0.0015% to 0.006%.

The decoding technique achieves an eightfold improvement in differential linearity stability over temperature, an eightfold improvement in relative accuracy due to aging effects (long term stability), a fourfold improvement in glitch amplitude, and a tenfold reduction in sensitivity to output amplifier offset voltage.

SIMPLIFIED BLOCK DIAGRAM

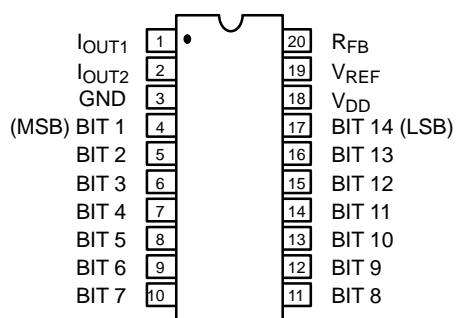


ORDERING INFORMATION

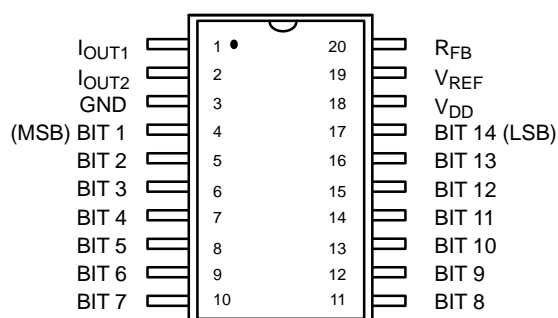
Package Type	Temperature Range	Part No.	INL (LSB)	DNL (LSB)	Gain Error (% FSR)
Plastic Dip	-40 to +85°C	MP7614JN	±4	±4	±0.8
Plastic Dip	-40 to +85°C	MP7614KN	±2	±2	±0.8
SOIC	-40 to +85°C	MP7614KS	±2	±2	±0.8
Ceramic Dip	-40 to +85°C	MP7614KD	±2	±2	±0.8
Ceramic Dip	-55 to +125°C	MP7614TD*	±2	±2	±0.8

*Contact factory for non-compliant military processing

PIN CONFIGURATIONS *See Packaging Section for Package Dimensions*



**20 Pin CDIP, PDIP (0.300")
D20, N20**



**20 Pin SOIC (Jedec, 0.300")
S20**

PIN OUT DEFINITIONS

PIN NO.	NAME	DESCRIPTION
1	I _{OUT1}	Current Output 1
2	I _{OUT2}	Current Output 2
3	GND	Ground
4	BIT 1	Data Input Bit 1 (MSB)
5	BIT 2	Data Input Bit 2
6	BIT 3	Data Input Bit 3
7	BIT 4	Data Input Bit 4
8	BIT 5	Data Input Bit 5
9	BIT 6	Data Input Bit 6
10	BIT 7	Data Input Bit 7

PIN NO.	NAME	DESCRIPTION
11	BIT 8	Data Input Bit 8
12	BIT 9	Data Input Bit 9
13	BIT 10	Data Input Bit 10
14	BIT 11	Data Input Bit 11
15	BIT 12	Data Input Bit 12
16	BIT 13	Data Input Bit 13
17	BIT 14	Data Input Bit 14 (LSB)
18	V _{DD}	Positive Power Supply
19	V _{REF}	Reference Input Voltage
20	R _{FB}	Internal Feedback Resistor

ELECTRICAL CHARACTERISTICS (VDD = + 15 V, VREF = +10 V unless otherwise noted)

Parameter	Symbol	25°C			Tmin to Tmax		Units	Test Conditions/Comments
		Min	Typ	Max	Min	Max		
STATIC PERFORMANCE¹								
Resolution (All Grades)	N	14			14		Bits	FSR = Full Scale Range
Integral Non-Linearity ⁵ (Relative Accuracy)	INL						LSB	Best Fit Straight Line Spec. (Max INL – Min INL) / 2
J, S				±4			±4	
K, T				±2			±2	
Differential Non-Linearity ⁵	DNL						LSB	
J, S				±4			±4	
K, T				±2			±2	
Gain Error	GE		0.8				±0.8	% FSR Using Internal R _{FB}
Gain Temperature Coefficient ²	TC _{GE}		±1.0				±2.0	ppm/°C ΔGain/ΔTemperature
Non-Linearity Tempco ²			±0.2				±0.5	
Differential Linearity Tempco ²			±0.2				±0.5	
Power Supply Rejection Ratio	PSRR		±5	±50			±50	ppm/% ΔGain/ΔV _{DD} ΔV _{DD} = ± 5%
Output Leakage Current ⁶	I _{OUT}		±1	±10			±200	nA
DYNAMIC PERFORMANCE²								
Current Settling Time	t _S		2				μs	To 0.01% of FSR; all digital inputs low to high and high to low V _{REF} = 20 V p-p @ 10 kHz
Feedthrough at I _{OUT1}	F _T		1	2			mV p-p	
REFERENCE INPUT								
Input Resistance	R _{IN}	1	3	10	1	10	kΩ	
DIGITAL INPUTS³								
Logical "1" Voltage	V _{IH}	3.0	2.4		3.0		V	
Logical "0" Voltage	V _{IL}			0.8		0.8	V	
Input Leakage Current	I _{LKG}			±1.0		±1.0	μA	
ANALOG OUTPUTS²								
Output Capacitance	C _{OUT1}		100				pF	DAC Inputs all 1's DAC Inputs all 0's DAC Inputs all 1's DAC Inputs all 0's
	C _{OUT1}		50				pF	
	C _{OUT2}		50				pF	
	C _{OUT2}		100				pF	
POWER SUPPLY⁴								
Functional Voltage Range ²	V _{DD}	4.5	15	16	4.5	16	V	All digital inputs = 0 V or all = 5 V
Supply Current	I _{DD}		0.4	4		4	mA	

ELECTRICAL CHARACTERISTICS (CONT'D)

NOTES:

- 1 Full Scale Range (FSR) is 10V for unipolar mode.
- 2 Guaranteed but not production tested.
- 3 Digital input levels should not go below ground or exceed the positive supply voltage, otherwise damage may occur.
- 4 Specified values guarantee functionality. Refer to other parameters for accuracy.
- 5 Linearity error is degraded by 65 μ V for every mV of voltage offset at output amplifier.
- 6 Output leakage current refers to I_{OUT1}. 1 LSB of current constantly flows into I_{OUT2} (30nA at 5 k Ω input impedance, V_{REF} = +10 V) due to ladder termination into I_{OUT2}.

Specifications are subject to change without notice

ABSOLUTE MAXIMUM RATINGS (TA = +25°C unless otherwise noted)^{1, 2}

V _{DD} to GND	0 to +17 V	Storage Temperature	-65°C to +150°C
Digital Input Voltage to GND	GND -0.5 to V _{DD} +0.5 V	Lead Temperature (Soldering, 10 seconds)	+300°C
I _{OUT1} , I _{OUT2} to GND	GND -0.5 to V _{DD} +0.5 V	Package Power Dissipation Rating to 75°C	
V _{REF} to GND	\pm 25 V	CDIP, PDIP, SOIC	900mW
V _{RFB} to GND	\pm 25 V	Derates above 75°C	12mW/°C

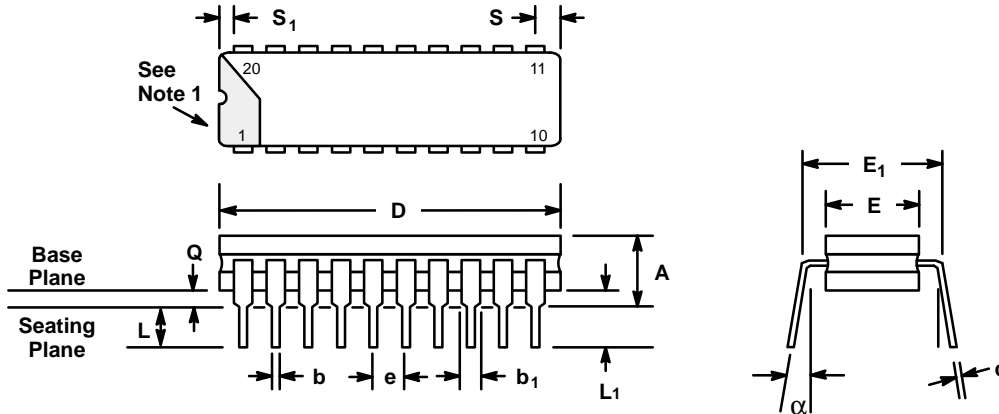
NOTES:

- 1 Stresses above those listed under “Absolute Maximum Ratings” may cause permanent damage to the device. This is a stress rating only and functional operation at or above this specification is not implied. Exposure to maximum rating conditions for extended periods may affect device reliability.
- 2 Any input pin which can see a value outside the absolute maximum ratings should be protected by Schottky diode clamps (HP5082-2835) from input pin to the supplies. *All inputs have protection diodes* which will protect the device from short transients outside the supplies of less than 100mA for less than 100 μ s.

APPLICATION NOTES

Refer to Section 8 for Applications Information

**20 LEAD CERAMIC DUAL-IN-LINE
(300 MIL CDIP)
D20**

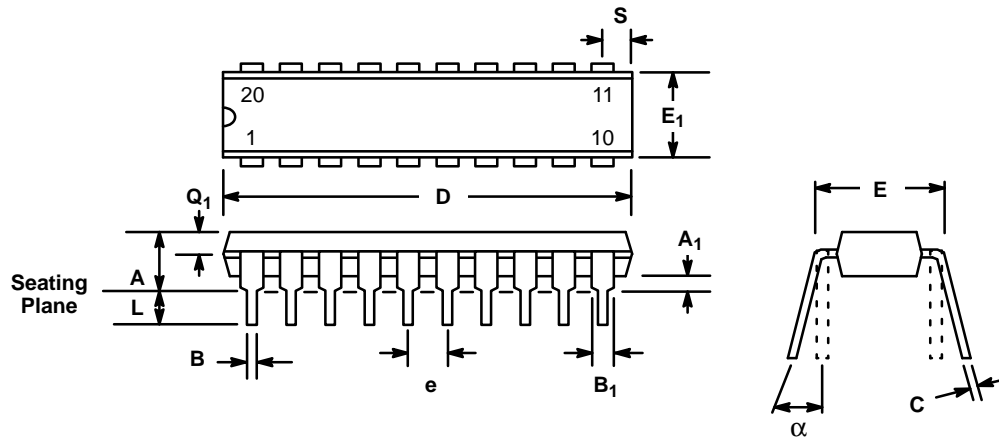


SYMBOL	INCHES		MILLIMETERS		NOTES
	MIN	MAX	MIN	MAX	
A	—	0.200	—	5.08	—
b	0.014	0.023	0.356	0.584	—
b ₁	0.038	0.065	0.965	1.65	2
c	0.008	0.015	0.203	0.381	—
D	—	1.060	—	26.92	4
E	0.220	0.310	5.59	7.87	4
E ₁	0.290	0.320	7.37	8.13	7
e	0.100 BSC		2.54 BSC		5
L	0.125	0.200	3.18	5.08	—
L ₁	0.150	—	3.81	—	—
Q	0.015	0.070	0.381	1.78	3
S	—	0.080	—	2.03	6
S ₁	0.005	—	0.13	—	6
α	0°	15°	0°	15°	—

NOTES

1. Index area; a notch or a lead one identification mark is located adjacent to lead one and is within the shaded area shown.
2. The minimum limit for dimension b₁ may be 0.023 (0.58 mm) for all four corner leads only.
3. Dimension Q shall be measured from the seating plane to the base plane.
4. This dimension allows for off-center lid, meniscus and glass overrun.
5. The basic lead spacing is 0.100 inch (2.54 mm) between centerlines.
6. Applies to all four corners.
7. This is measured to outside of lead, not center.

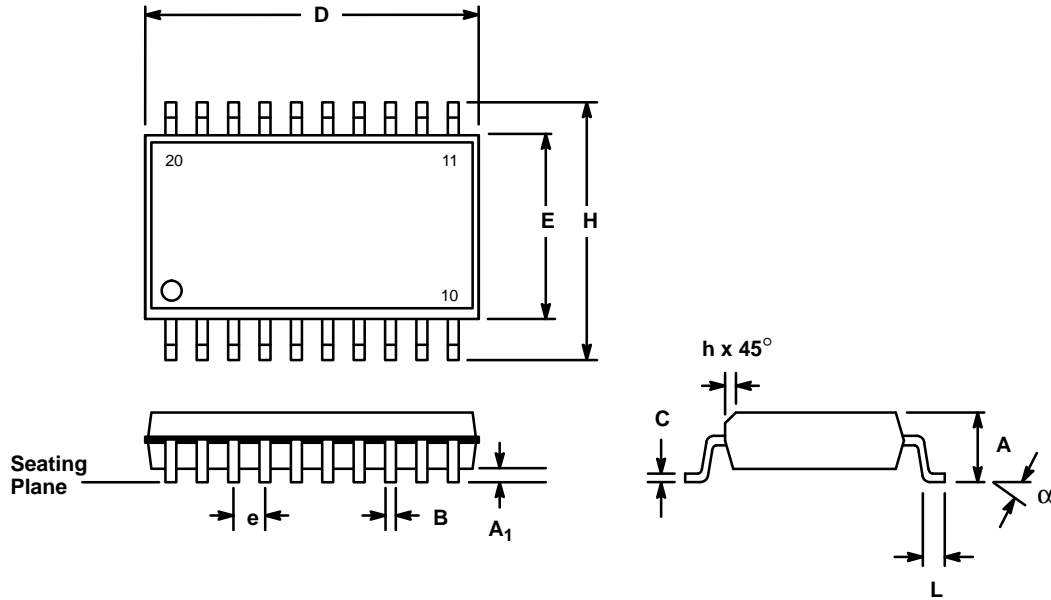
20 LEAD PLASTIC DUAL-IN-LINE (300 MIL PDIP) N20



SYMBOL	INCHES		MILLIMETERS	
	MIN	MAX	MIN	MAX
A	—	0.200	—	5.08
A ₁	0.015	—	0.38	—
B	0.014	0.023	0.356	0.584
B ₁ (1)	0.038	0.065	0.965	1.65
C	0.008	0.015	0.203	0.381
D	0.945	1.060	24.0	26.92
E	0.295	0.325	7.49	8.26
E ₁	0.220	0.310	5.59	7.87
e	0.100 BSC		2.54 BSC	
L	0.115	0.150	2.92	3.81
α	0°	15°	0°	15°
Q ₁	0.055	0.070	1.40	1.78
S	0.040	0.080	1.02	2.03

Note: (1) The minimum limit for dimensions B₁ may be 0.023" (0.58 mm) for all four corner leads only.

**20 LEAD SMALL OUTLINE
(300 MIL JEDEC SOIC)
S20**



SYMBOL	INCHES		MILLIMETERS	
	MIN	MAX	MIN	MAX
A	0.097	0.104	2.464	2.642
A ₁	0.0050	0.0115	0.127	0.292
B	0.014	0.019	0.356	0.483
C	0.0091	0.0125	0.231	0.318
D	0.500	0.510	12.70	12.95
E	0.292	0.299	7.42	7.59
e	0.050 BSC		1.27 BSC	
H	0.400	0.410	10.16	10.41
h	0.010	0.016	0.254	0.406
L	0.016	0.035	0.406	0.889
α	0°	8°	0°	8°

NOTICE

EXAR Corporation reserves the right to make changes to the products contained in this publication in order to improve design, performance or reliability. EXAR Corporation assumes no responsibility for the use of any circuits described herein, conveys no license under any patent or other right, and makes no representation that the circuits are free of patent infringement. Charts and schedules contains here in are only for illustration purposes and may vary depending upon a user's specific application. While the information in this publication has been carefully checked; no responsibility, however, is assumed for inaccuracies.

EXAR Corporation does not recommend the use of any of its products in life support applications where the failure or malfunction of the product can reasonably be expected to cause failure of the life support system or to significantly affect its safety or effectiveness. Products are not authorized for use in such applications unless EXAR Corporation receives, in writing, assurances to its satisfaction that: (a) the risk of injury or damage has been minimized; (b) the user assumes all such risks; (c) potential liability of EXAR Corporation is adequately protected under the circumstances.

Copyright EXAR Corporation
Datasheet April 1995

Reproduction, in part or whole, without the prior written consent of EXAR Corporation is prohibited.