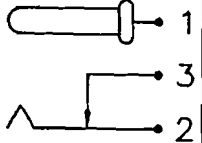
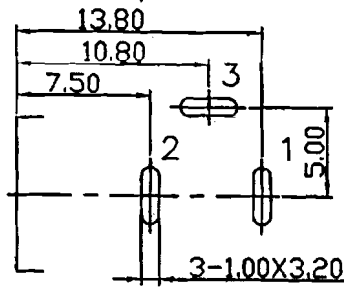
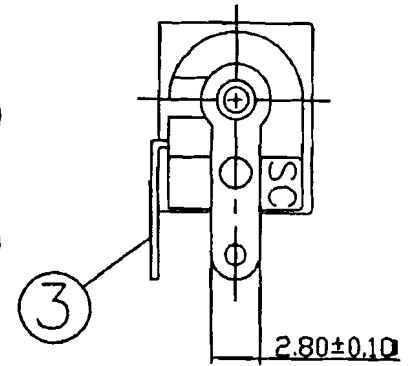
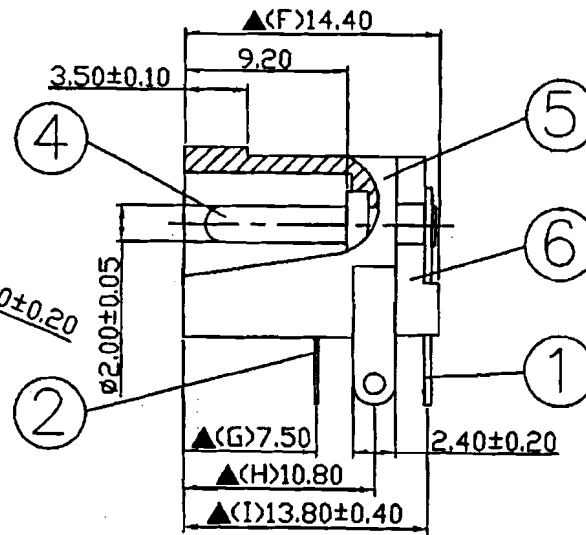
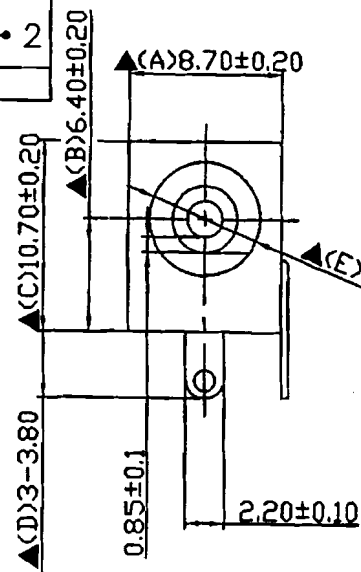


SCHEMATIC	
	MODEL NO C




Pin Hole Layout
(Jack Bottom View)

6.	Cover	PBT+30% Fibre Glass	1	Black Color
5.	Housing	PBT+30% Fibre Glass	1	Black Color
4.	Pin(2.0 ϕ)	Copper	1	Nickel Plated
3.	Break Terminal	0.4T Brass	1	Silver Plated
2.	Sleeve Spring	0.2T Phosphor Bronze	1	Silver Plated
1.	Pin Terminal	0.4T Brass	1	Silver Plated
NO.	Description	Material	Q'TY	Finish

DATE	DWN	CHKD
12.08.2005	易愛娣	陳子怡

SPECIFICATIONS:

Contact Resistance : 30m Ω max
 Insulation Resistance : 100M Ω min. at DC 500V
 Dielectric Withstand Voltage : AC 500V for one minute
 Remark: ▲ : The Most Important Dimension

PART NAME :DC POWER JACK	
TOLERANCE :±0.3mm UNLESS OTHERWISE SPECIFIED	UNIT:mm 

SHOGYO INTERNATIONAL CORP.
 # SCD438CCS011B00G