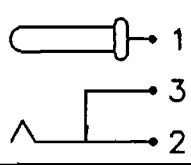
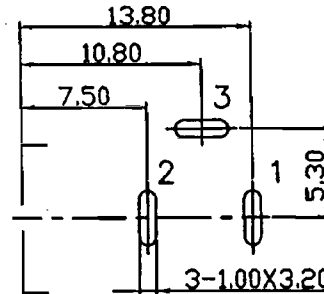
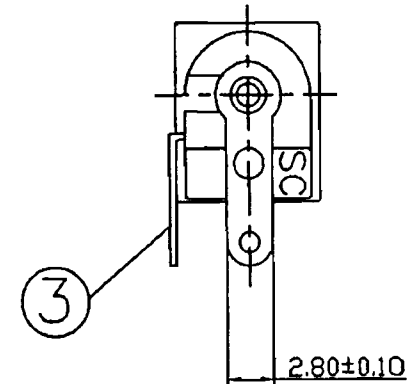
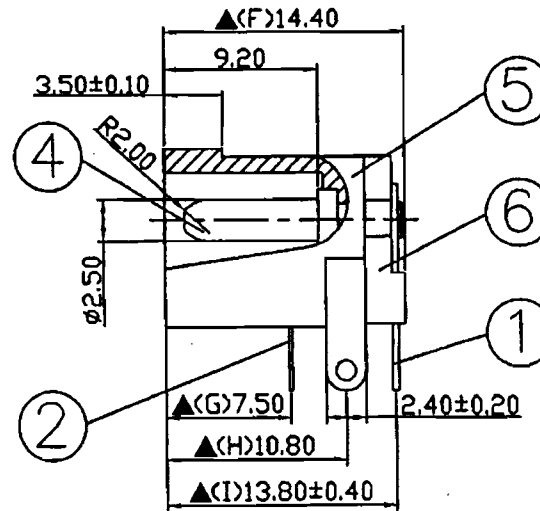
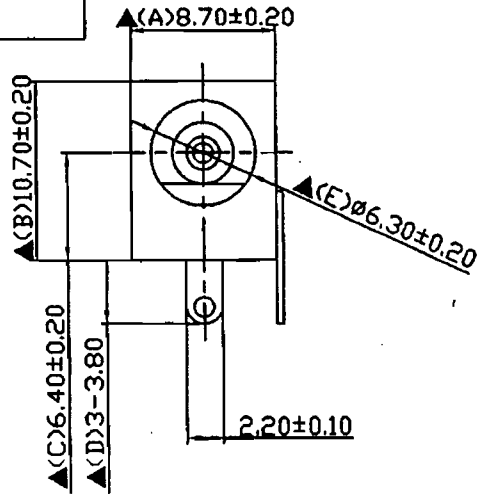


SCHEMATIC	
MODEL NO	C



Pin Hole Layout
(Jack Bottom View)

6.	Cover	PBT+30% Fibre Glass	1	Black Color
5.	Housing	PBT+30% Fibre Glass	1	Black Color
4.	Pin(2.5φ)	Copper	1	Nickel Plated
3.	Break Terminal	0.4T Brass	1	Silver Plated
2.	Sleeve Spring	0.2T Phosphor Bronze	1	Silver Plated
1.	Pin Terminal	0.4T Brass	1	Silver Plated
NO.	Description	Material	Q'TY	Finish


DATE	DWN	CHKD
12.08.2005	易愛娣	陳若吟

SPECIFICATIONS:

Contact Resistance : 30mΩ max
 Insulation Resistance : 100MΩ min. at DC 500V
 Dielectric Withstand Voltage : AC 500V for one minute
 Remark: ▲: The Most Important Dimension

PART NAME : DC POWER JACK

TOLERANCE : ±0.3mm UNLESS OTHERWISE SPECIFIED

UNIT:mm 

SHOGYO INTERNATIONAL CORP.

SCD438DCS011B00G