

NPN Power Transistors

Metal Can (TO5)

REFERENCE TABLE See small signal general purpose amplifier and high voltage sections

Code	MAX RATINGS			CHARACTERISTICS @ 25°C						Stock No.	Outline Drawing No.
	V _{CE0} Volts Min	P _{TOT} T _C =25°C W	I _C amps Max	h _{FE} @ Min	h _{FE} Max	I _C Amp	V _{CE(sat)} @ Volts Max	I _C Amp	f _T MHz Min		
BFX34	60	5.0	5.0	40	150	2.0	1.0	0.5	70	35373H	67
2N3440	250	10.0	0.1	40	160	0.02	0.5	0.05	15	35374F	67

NPN Power Transistors

Metal Can (TO66)

REFERENCE TABLE (In ascending collector current order)

Code	MAX RATINGS			CHARACTERISTICS @ 25°C						Stock No.	Outline Drawing No.
	V _{CE0} Volts Min	P _{TOT} T _C =25°C W	I _C amps Max	h _{FE} @ Min	h _{FE} Max	I _C Amp	V _{CE(sat)} @ Volts Max	I _C Amp	f _T MHz Min		
SE9331	300	20	1.0	30	250	0.1	2.5	0.1	10	35375D	91
2N3054	55	25	4.0	25	100	0.5	1.0	0.5	1.0	35376B	91
2N6233	225	50	5.0	25	125	1.0	0.5	1.0	20	35377X	91
2N6234	275	50	5.0	25	125	1.0	0.5	1.0	20	35378R	91
2N6235	325	50	5.0	25	100	1.0	0.5	1.0	20	35379G	91
SE9051	275	50	10	20	100	1.0	1.0	5.0	20	35380X	91
SE9052	325	50	10	20	100	1.0	5.0	5.0	20	35381H	91

7

NPN Power Transistors

Metal Can (TO3)

REFERENCE TABLE

Code	Max Ratings			Characteristics @ 25°C						Stock No.	Outline Drawing No.	
	V _{CE0} Volts Min	I _C Amps Max	P _{TOT} T _O =25°C W	h _{FE} @ Min	h _{FE} I _C Amp	V _{CE(sat)} Volts@I _C Max	I _C Amp	f _T MHz Min	PNP Complement			
2N4914	60	5.0	87.5	25	100	2.5	1.5	5.0	4.0	2N4905	35382D	94
2N4915	80	5.0	87.5	25	100	2.5	1.5	5.0	4.0	2N4906	35383D	94
2N3716	80	10	150	50	150	1.0	0.8	5.0	2.5	2N3792	35384B	94
2N3055	60	15	117	20	70	4.0	1.1	4.0	0.8		35385X	94
2N5301	40	30	200	15	60	15	2.0	20	2.0		35386R	94
2N5302	60	30	200	15	60	15	2.0	20	2.0		35387G	94

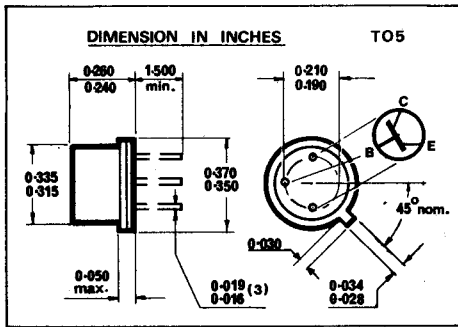
PLEASE QUOTE STOCK NO. AND MANUFACTURER'S CODE WHEN ORDERING

Silicon NPN/PNP Power Transistors—Up to 7 Amp

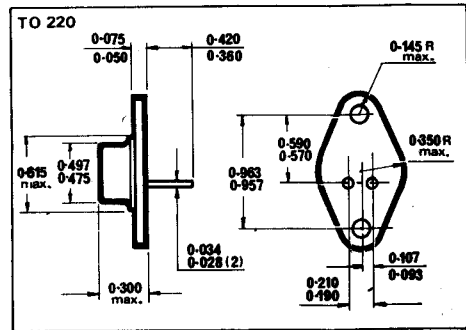
REFERENCE TABLE

I _C (A)	Code	Polarity	Outline	Absolute Maximum Ratings				Electrical Characteristics (T _C =25°C)						Stock No	
				V _{CE0} (V)	V _{CEO} (V)	I _C (A)	P _{TOT} (W)	h _{FE} Min.	at Max.	V _{CE} (V)	I _C (A)	V _{CE(SAT)} Max.(V)	at I _C (A)		I _B (A)
0.7	2N3053	NPN	TO5	60	40	0.7	5	50	250	10	0.15	1.4	0.15	0.015	35059F
	2N4911	NPN	TO66	60	60	2.0	25	20	100	1.0	0.5	0.6	1.0	0.1	35091F
2.0	2N4912	NPN	TO66	80	80	2.0	25	20	100	1.0	0.5	0.6	1.0	0.1	35092D
	2N3740	PNP	TO66	60	60	2.0	25	30	100	1.0	0.3	0.6	1.0	0.125	35044R
4.0	2N3741	PNP	TO66	80	80	2.0	25	30	100	1.0	0.3	0.6	1.0	0.125	35045G
	2N3054	NPN	TO66	90	55	4.0	25	25	100	4.0	0.5	1.0	0.5	0.05	35060R
	2N5294	NPN	TO220AB	80	70	4.0	36	30	120	4.0	0.5	2.0	4.0	1.0	35046E
	2N5296	NPN	TO220AB	60	40	4.0	36	30	120	4.0	0.5	2.0	4.0	1.0	35047C
5.0	2N5298	NPN	TO220AB	80	60	4.0	36	20	80	4.0	0.5	2.0	4.0	1.0	35048A
	2N3719	PNP	TO5	40	40	5.0	6	25	180	1.5	1.0	1.5	3.0	0.3	35050B
7.0	2N3720	PNP	TO5	60	60	5.0	6	25	180	1.5	1.0	1.5	3.0	0.3	35049X
	2N5490	NPN	TO220AB	60	40	7.0	50	20	100	4.0	2.0	1.0	2.0	0.2	35061X
	2N5492	NPN	TO220AB	75	55	7.0	50	20	100	4.0	2.5	1.0	2.5	0.25	35052R
	2N5494	NPN	TO220AB	60	40	7.0	50	20	100	4.0	3.0	1.0	3.0	0.3	35053G
	2N5496	NPN	TO220AB	90	70	7.0	50	20	100	4.0	3.5	1.0	3.5	0.35	35090H

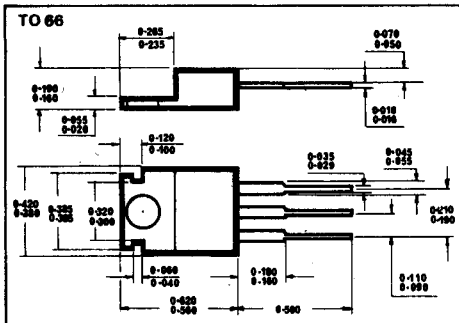
PHYSICAL DIMENSIONS



PHYSICAL DIMENSIONS



PHYSICAL DIMENSIONS



MANUFACTURER'S CURRENT LIST PRICES ARE ALWAYS CHARGED