

PNP EPOXY - SWITCHING AND GENERAL PURPOSE (Cont'd.)

TYPE NO.	V _{CB}	V _{CE}	V _{EB}	h _{FE}	at	I _C	V _{CE}	V _{CE(s)} at I _B	I _C	f _T	C _{ob}	I _{CBO} at V _{CB}	CASE		
	V	V	V	min	max	mA	V	V	mA	mA	MHz	pF		μA	V
2N4060	30	30	6	45	—	1	5	—	—	—	—	0.1	20	TO-98	
2N4061	30	30	6	90	—	1	5	—	—	—	—	0.1	20	TO-98	
2N4062	30	30	6	180	—	1	5	—	—	—	—	0.1	20	TO-98	
2N4121	40	40	5	70	200	10	1	0.3	5	50	400	4.5	—	TO-106	
2N4122	40	40	5	150	300	10	1	0.4	5	50	450	4.5	—	TO-106	
2N4125	30	30	4	50	150	2	1	0.4	5	50	200	4.5	.05	20	TO-92
2N4126	25	25	4	120	360	2	1	0.4	5	50	250	4.5	.05	20	TO-92
2N4142	60	40	5	40	120	150	10	0.4	15	150	200	8	.05	30	TO-106
2N4143	60	40	5	100	300	150	10	0.4	15	150	200	8	.05	30	TO-106
2N4228	60	40	5	75	150	150	10	0.4	15	150	200	8	.05	30	TO-106
2N4354	60	60	5	50	500	10	10	.15	15	150	100	30	—	—	TO-105
2N4355	60	60	5	100	400	10	10	.15	15	150	100	30	—	—	TO-105
2N4356	80	80	5	50	250	10	10	.15	15	150	100	30	—	—	TO-105
2N4402	40	40	5	50	150	150	1	0.4	15	150	150	—	—	—	TO-92
2N4403	40	40	5	100	300	150	1	0.4	15	150	200	—	—	—	TO-92
2N4916	30	30	5	70	200	10	1	0.3	5	50	400	4.5	—	—	TO-106
2N4917	30	30	5	150	300	10	1	0.3	5	50	450	4.5	—	—	TO-106
2N4971	50	40	5	40	120	150	10	.15	15	150	200	8	.025	30	TO-106
2N4972	50	40	5	100	300	150	10	0.4	15	150	200	8	.025	30	TO-106
2N5040	25	25	4	30	—	150	10	.25	15	150	80	35	—	—	TO-105
2N5041	40	40	5	40	150	150	10	.25	15	150	100	35	—	—	TO-105
2N5138	30	30	5	50	800	0.1	10	0.3	1	10	30	7	.05	20	TO-106
2N5139	20	20	5	30	—	0.1	10	0.5	5	50	300	5	.05	15	TO-106
2N5142	20	20	4	30	—	50	1	0.5	5	50	100	10	.05	12	TO-105
2N5143	20	20	4	30	—	50	1	0.5	5	50	100	10	.05	12	TO-105
2N5221	15	15	3	30	600	50	10	0.5	5	50	100	15	—	—	TO-92
2N5226	25	25	4	30	600	50	10	0.8	5	50	50	20	—	—	TO-92
2N5227	30	30	3	50	700	2	10	0.4	0.2	2	100	5	—	—	TO-92
2N5243	30	30	5	25	—	0.5	1	1.0	5	50	170	35	0.1	20	TO-105
2N5354	25	25	4	40	120	50	1	.25	5	50	—	8	—	—	TO-98
2N5355	25	25	4	100	300	50	1	.25	5	50	—	8	—	—	TO-98
2N5356	25	25	4	250	500	50	1	.25	5	50	—	8	—	—	TO-98
2N5365	40	40	4	40	120	50	1	.25	5	50	—	8	—	—	TO-98
2N5366	40	40	4	100	300	50	1	.25	5	50	—	8	—	—	TO-98
2N5367	40	40	4	250	500	50	1	.25	5	50	—	8	—	—	TO-98
2N5372	30	30	5	40	120	150	10	0.3	15	150	150	10	—	—	TO-92P
2N5373	30	30	5	100	300	150	10	0.3	15	150	150	10	—	—	TO-92P
2N5374	30	30	5	150	450	150	10	0.3	15	150	150	10	—	—	TO-92P
2N5375	30	30	5	40	400	250	10	0.3	15	150	150	10	—	—	TO-92P
2N5382	40	40	6	50	150	10	1	0.4	5	50	200	4.5	—	—	TO-92P
2N5383	40	40	6	100	300	10	1	0.4	5	50	250	4.5	—	—	TO-92P
2N5447	40	25	5	60	—	50	5	—	—	—	100	12	0.1	25	TO-106
2N5448	50	30	5	30	—	50	5	—	—	—	100	12	0.1	30	TO-106
2N5811	25	25	5	45	—	500	2	.75	50	500	100	15	—	—	TO-92P
2N5813	25	25	5	60	—	500	2	.75	50	500	135	15	—	—	TO-92P
2N5815	40	40	5	20	—	500	2	.75	50	500	100	15	—	—	TO-92P
2N5817	40	40	5	25	—	500	2	.75	50	500	120	15	—	—	TO-92P
2N5819	40	40	5	25	—	500	2	.75	50	500	135	15	—	—	TO-92P
2N5855	60	60	5	50	300	150	10	0.4	15	150	15	—	—	—	TO-105
2N5857	80	80	5	50	300	150	10	0.4	15	150	15	—	—	—	TO-105
2N6076	25	25	5	100	500	10	10	.25	1	10	—	10	—	—	TO-98

PNP EPOXY - SATURATED SWITCH

TYPE NO.	V _{CB}	V _{CE}	V _{EB}	h _{FE}	at	I _C	V _{CE}	V _{CE(s)} at I _C	f _T	C _{ob}	t _{on}	t _{off}	I _{CBO} at V _{CB}	CASE		
	V	V	V	min	ma	mA	V	V	mA	MHz	pF	nS	nS		μA	V
2N3639	6	6	4	30	120	10	0.3	0.16	10	500	3.5	—	60	.01	3	TO-106
2N3640	12	12	4	30	120	10	0.3	0.2	10	500	3.5	—	35	.01	6	TO-106
2N4257	6	6	4	30	120	10	0.3	0.5	50	500	3	—	15	.01	3	TO-106
2N4257A	6	6	4	30	120	10	0.3	0.5	50	500	3	—	15	.01	3	TO-106
2N4258	12	12	4	30	120	10	0.3	0.5	50	700	3	—	20	.01	6	TO-106
2N4258A	12	12	4	30	120	10	0.3	0.5	50	700	3	—	18	.01	6	TO-106
2N4313	12	12	4	30	—	10	1.0	0.19	30	700	4	—	25	.01	10	TO-106

CASE OUTLINE DRAWINGS

D



CASE A

CBR1 Series
CBR2 Series



CASE B

CBR1-L Series
CBR2-L Series



CASE C

CBR3-P Series



CASE D

CBR4-L Series



CASE E

CBR8 Series



CASE F

CBR10 Series, CBR25 Series
CBR12 Series, CBR30 Series

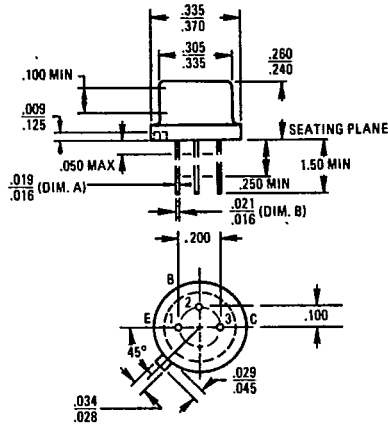
All Dimensions in Inches (Millimeters)

Drawings Not To Scale

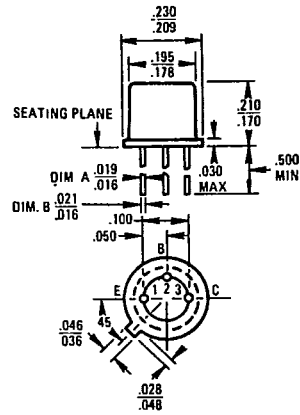
f

MECHANICAL OUTLINE DRAWINGS

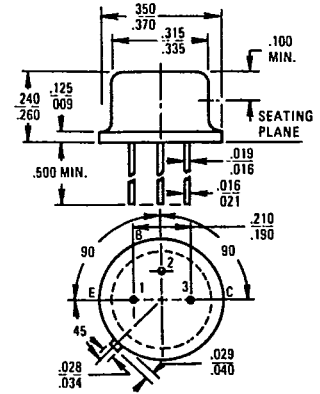
TO-5



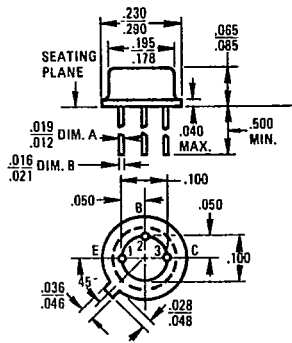
TO-18



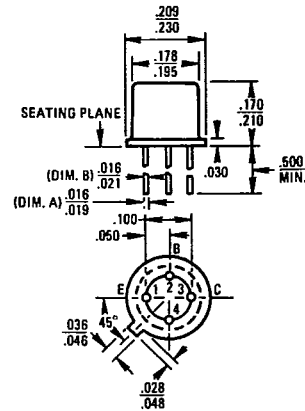
TO-39



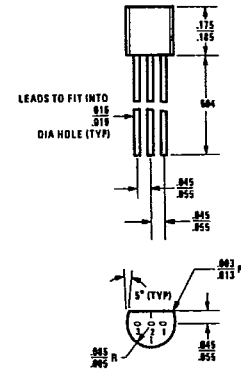
TO-46



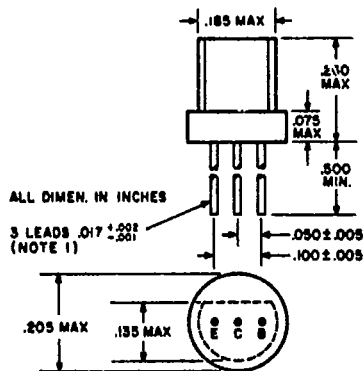
TO-72



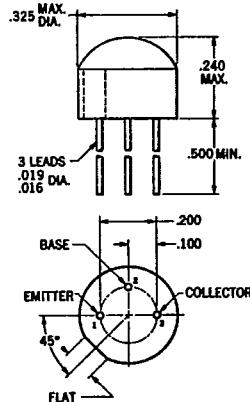
TO-92



TO-98



TO-105



TO-106

