

IC120 Series (Open Top)

Plastic Lead Chip Carrier (PLCC)

Specifications

Insulation Resistance: 1,000MΩ min. at 500V DC
 Dielectric Withstanding Voltage: 700V AC for 1 minute
 Contact Resistance: 30mΩ max. at 10mA/20mV max.
 Current Rating: 1A max.
 Operating Temperature Range: -40°C to +170°C
 Mating Cycles: 10,000 insertions min.

Materials and Finish

Housing: Upper body - Polyphenylenesulfide (PPS)
 Lower body - Polyetherimide (PEI), glass-filled
 Contacts: Beryllium Copper (BeCu)
 Plating: Gold over Nickel

Features

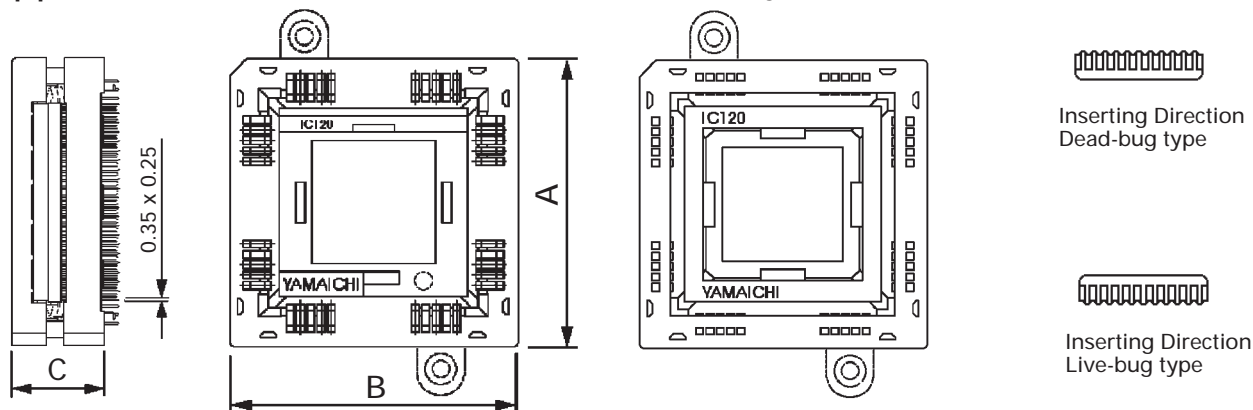
- Two-point contacts and a larger contact width ensures high reliability
- Auto-ejecting type for automated operation (IC is inserted in "one touch" operation and pushing the cover raises it for easy IC removal)
- Available for two types of IC orientation (Live-bug & Dead-bug)

Part Number (Details)

IC120 - 068 4 - 0 04 MF

Series No. [068]
 No. of Contact Pins [4]
 Number of Sides with Contacts [0]
 Terminal Arrangement and IC Orientation (see table below) [04]
 Design Number [MF]
 MF = Flanged
 Unmarked = Not Flanged

Applicable Socket Dimensions (Reference Only)



Part Number	Pin Count	Inserting Direction of IC	Socket Dimensions		
			A	B	C
IC120-0444-006	44	Dead-bug	28.0	28.0	18.0
IC120-0444-106	44	Live-bug	28.0	28.0	19.3
*IC120-0444-206	44	Dead-bug	28.0	28.0	18.0
*IC120-0444-306	44	Live-bug	28.0	28.0	19.3
IC120-0444-406	44	Dead-bug	28.0	28.0	18.0
IC120-0444-506	44	Live-bug	28.0	28.0	19.3
IC120-0524-007	52	Dead-bug	30.0	30.0	18.0
IC120-0524-107	52	Live-bug	30.0	30.0	19.3
*IC120-0524-207	52	Dead-bug	30.0	30.0	18.0
*IC120-0524-307	52	Live-bug	30.0	30.0	19.3
IC120-0524-407	52	Dead-bug	30.0	30.0	18.0
IC120-0524-507	52	Live-bug	30.0	30.0	19.3
IC120-0684-004	68	Dead-bug	35.0	35.0	18.0
IC120-0684-104	68	Live-bug	35.0	35.0	19.3
*IC120-0684-204	68	Dead-bug	35.0	35.0	18.0
*IC120-0684-304	68	Live-bug	35.0	35.0	19.3
IC120-0684-404	68	Dead-bug	35.0	35.0	18.0
IC120-0684-504	68	Live-bug	35.0	35.0	19.3
IC120-0844-003	84	Dead-bug	40.0	40.0	18.0
IC120-0844-103	84	Live-bug	40.0	40.0	19.3
IC120-0844-203	84	Dead-bug	40.0	40.0	18.0
IC120-0844-303	84	Live-bug	40.0	40.0	19.3
IC120-0844-403	84	Dead-bug	40.0	40.0	18.0
IC120-0844-503	84	Live-bug	40.0	40.0	19.3

* Most compatible socket type (3 different PCB-layout options available)

IC120 - Open Top

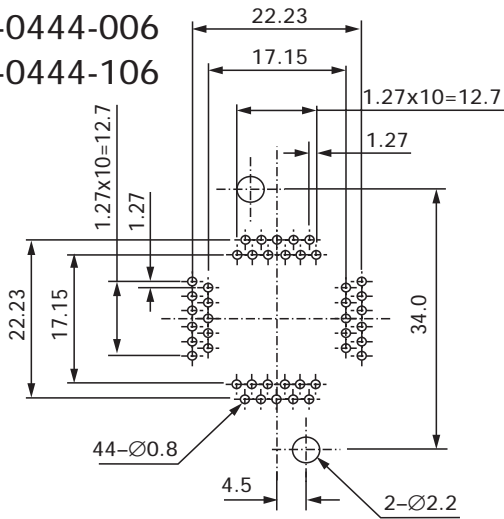
Plastic Lead Chip Carrier (PLCC)

Recommended PCB Layouts (44 to 68 pins)

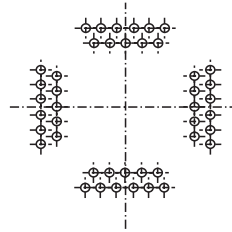
Top view from socket

44 pins

IC120-0444-006
IC120-0444-106

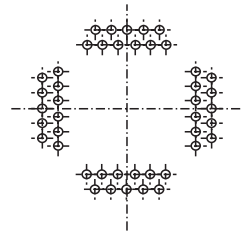


IC120-0444-206
IC120-0444-306



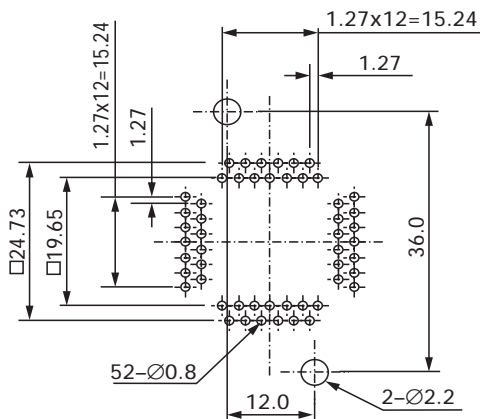
Most compatible socket type

IC120-0444-406
IC120-0444-506

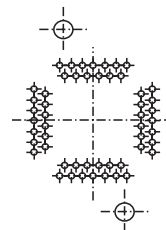


52 pins

IC120-0524-007
IC120-0524-107

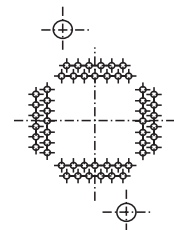


IC120-0524-207
IC120-0524-307



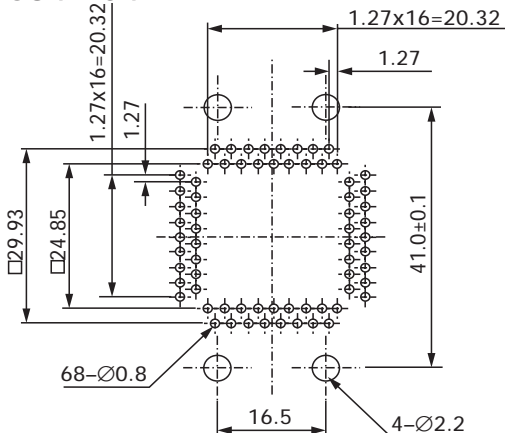
Most compatible socket type

IC120-0524-407
IC120-0524-507

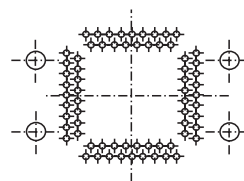


68 pins

IC120-0684-004
IC120-0684-104

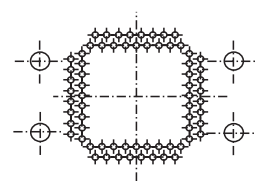


IC120-0684-204
IC120-0684-304



Most compatible socket type

IC120-0684-404
IC120-0684-504



IC120 - Open Top

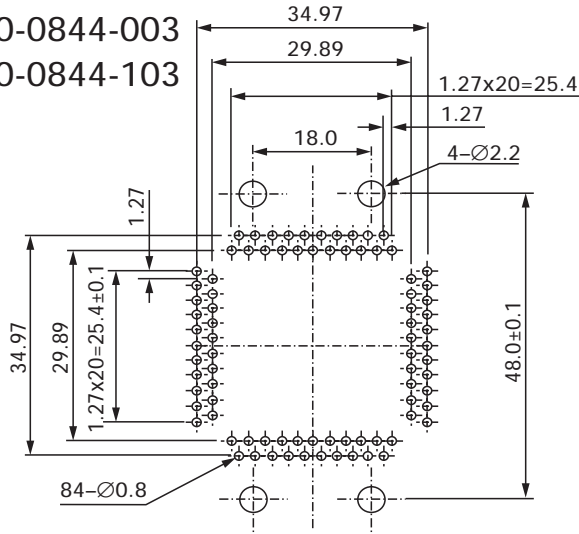
Plastic Lead Chip Carrier (PLCC)

Recommended PCB Layouts (84 pins)

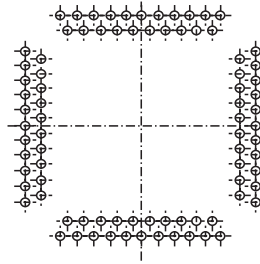
Top view from socket

84 pins

IC120-0844-003
IC120-0844-103



IC120-0844-203
IC120-0844-303



Most compatible
socket type

IC120-0844-403
IC120-0844-503

