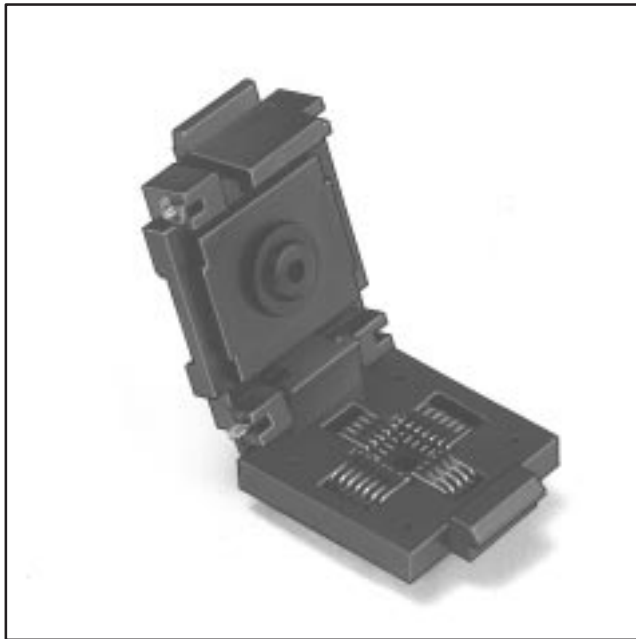


Small LCC Sockets



- Lidded style socket provides consistent normal force on LCC contact pads for maximum electrical reliability
- Compliant spring backed by plastic pressure pad button to accommodate wide range of package thicknesses and minimizes marring of packages
- Compliant leads accommodate package planarity variations
- Repairable - leads, lid and latch can be replaced

Date Issued: February 19, 2001

TS-0410-06
Sheet 1 of 3

26

Physical

Insulation

Material: Polyphenylene-Sulfide PPS
Flammability: UL 94V-0
Color: Black

Marking: 3M Logo & Part Number Identifier

Contact

Material: Beryllium Copper
Plating: 30 μ m (0.76 μ m) Gold over 50 μ m (1.3 μ m) Nickel

Electrical

Current Rating: 1 Amp
Insulation Resistance: $> 1 \times 10^{12} \Omega$ at 500 Vdc
Withstanding Voltage: 1000 Vrms at Sea Level

Environmental

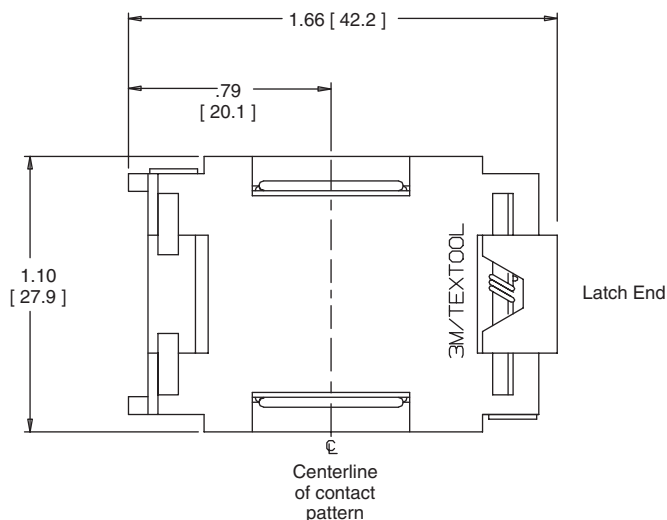
Operating Temperature Rating: - 55° C to + 150° C

3M Electronic Handling and Protection Division

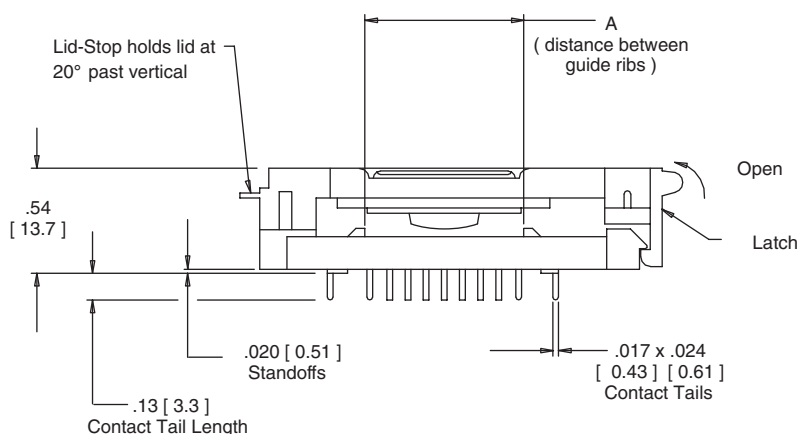
6801 River Place Blvd.
Austin, TX 78726-9000

For technical, sales or ordering information call **800-328-0411**
or visit our website: <http://www.3M.com/ehpd>

Small LCC Sockets



| Contact Quantity | Dim A sq. ± .002 [± .05 mm] |
|------------------|------------------------------------|
| 16 | .308 [7.82] |
| 20 | .358 [9.09] |
| 28 | .45 [11.63] |
| 32 | .432 [10.97] |
| 40 | .490 [12.45] |



| | Tolerance $\frac{\text{inch}}{\text{(mm)}}$ | |
|-----------|---|--------------------------|
| Dimension | $\frac{.00}{(.0)}$ | $\frac{.000}{(.00)}$ |
| Tolerance | $\frac{± .010}{(± .25)}$ | $\frac{± .005}{(± .13)}$ |

Ordering Information

| Part Number | Contact Quantity | Pitch | Package Size (LXW) | Package Thickness |
|------------------|------------------|---------------|------------------------------------|----------------------------------|
| 216-4958-00-1102 | 16 | .050 [1.27] | .300 x .300 [7.62] [7.62] | .050 – .100 [1.27] [25.4] |
| 220-4959-00-1102 | 20 | | .350 x .350 [8.89] [8.89] | |
| 228-4960-00-1102 | 28 | | .450 x .450 [11.43] [11.43] | |
| 232-5083-00-1102 | 32 | .040 [1.01] | .420 x .420 [10.67] [10.67] | |
| 240-5084-00-1102 | 40 | | .480 x .480 [12.19] [12.19] | |

TS-0410-06
Sheet 2 of 3

3M Electronic Handling and Protection Division

6801 River Place Blvd.
Austin, TX 78726-9000

For technical, sales or ordering information call **800-328-0411**
or visit our website: <http://www.3M.com/ehpd>

Small LCC Sockets

