

.070" DIP Sockets

Shrink DIP



- For DIPs with .070" (1.78 mm) lead spacing
- Pin counts from 28 through 90 leads
- Lever actuated zero insertion force mechanism
- Socket contact point of .090" (2.29 mm) below top surface of socket

Date Issued: February 19, 2001

TS-0366-11
Sheet 1 of 2

14

Physical

Insulation

Material: Glass Filled Polysulfone
Flammability: UL 94V-0
Color: Green

Marking: 3M Logo & Part Number Identifier

Contact

Material: Beryllium Copper
Plating: Gold Flash over 50 μ " (1.3 μ m) Nickel

Electrical

Current Rating: 1 Amp
Insulation Resistance: $> 1 \times 10^9 \Omega$ at 500 Vdc
Withstanding Voltage: 1000 Vrms at Sea Level

Environmental

Operating Temperature Rating: - 55° C to +150° C

Mechanical

When used as a test socket at room temperature 24° C the socket will last 20,000 actuations.

3M Electronic Handling and Protection Division

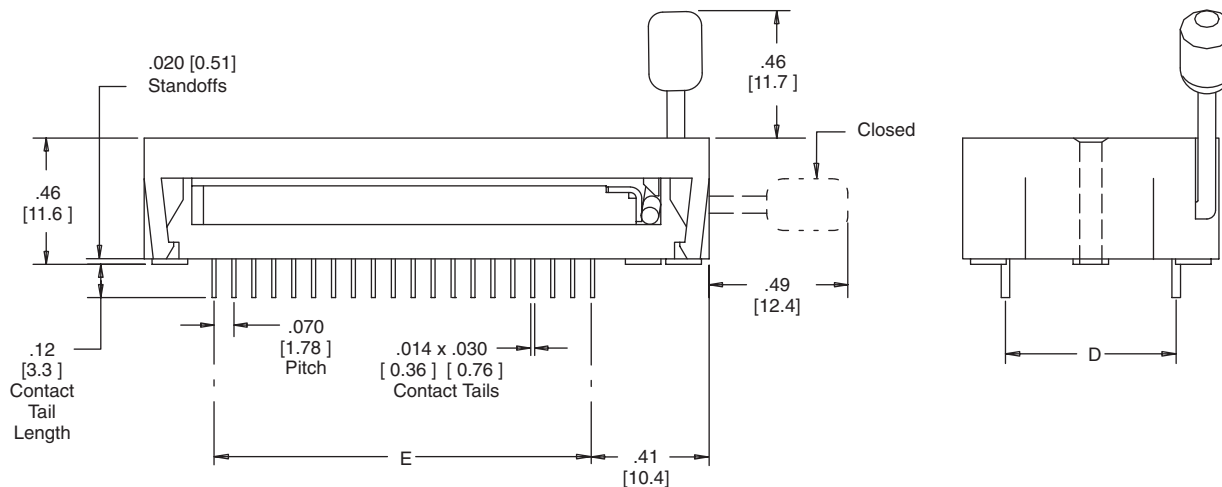
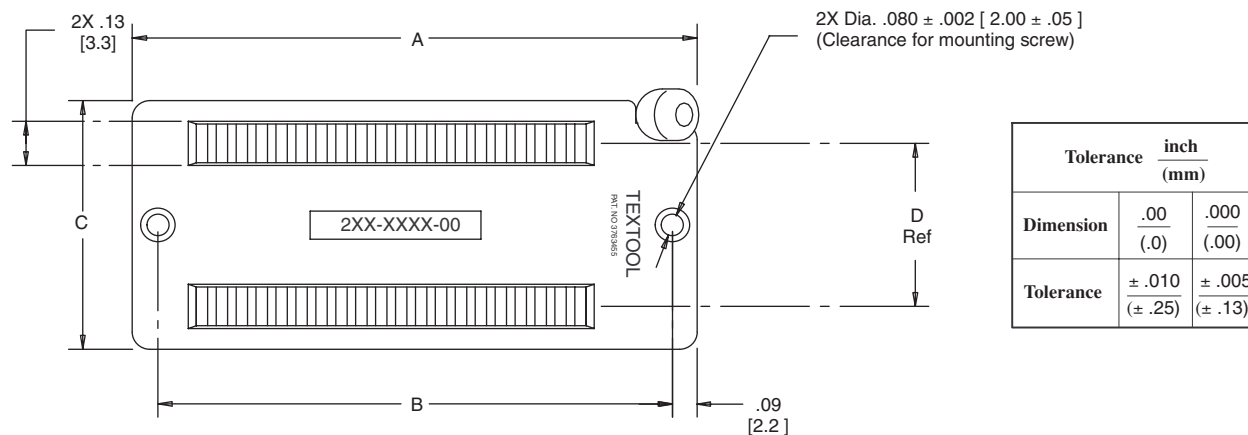
6801 River Place Blvd.
Austin, TX 78726-9000

For technical, sales or ordering information call **800-328-0411**
or visit our website: <http://www.3M.com/ehpd>

.070" DIP Sockets

Shrink DIP

Contact Quantity	Dimensions				
	A	B	C	D	E
28	1.60 [40.5]	1.42 [36.1]	.70 [17.8]	.40 [10.16]	.91 [23.14]
32	1.73 [44.0]	1.56 [39.6]	.70 [17.8]	.40 [10.16]	1.05 [26.67]
42	2.10 [52.9]	1.90 [48.5]	.90 [22.9]	.60 [15.24]	1.40 [35.60]
56	2.57 [65.4]	2.40 [61.0]	.90 [22.9]	.60 [15.24]	1.89 [48.01]
64	2.90 [72.5]	2.68 [68.0]	1.10 [28.3]	.80 [20.70]	2.20 [55.18]
90	3.77 [95.7]	3.59 [91.3]	1.23 [31.3]	.90 [22.86]	3.08 [78.32]



Ordering Information

Socket Part Number	Contact Quantity	Mating Receptacle Part Number
228-1290-00-0602J	28	228-1290-XX-0602J
232-1291-00-0602J	32	NOT AVAILABLE
242-1293-00-0602J	42	242-1293-XX-0602J
256-1292-00-0602J	56	NOT AVAILABLE
264-1300-00-0602J	64	264-1300-XX-0602J
290-1294-00-3302J	90	290-1294-XX-0602J

Note:

[1] This socket is available only in black polyetherimide plastic.

Contact Tail Length:

XX = 09 Solder Tail w/ flanges
= 29 Solder Tail w/out flanges

TS-0366-11
Sheet 2 of 2

3M Electronic Handling and Protection Division

6801 River Place Blvd.
Austin, TX 78726-9000

For technical, sales or ordering information call 800-328-0411
or visit our website: <http://www.3M.com/ehpd>