

.100" [2.54 mm] In-Line ZIP Strip Sockets



- For single-in-line packages on .100" (2.54 mm) centers
- Can be used in sets of two or more to create a socket for non-standard leaded packages on .100" (2.54 mm) centers
- SIP pin counts from 10 through 36 leads
- Lever actuated zero insertion force mechanism
- Ganging bar included to enable mass actuation
- Accepts pins up to .025" (0.6 mm) square
- Socket contact point of .085" (2.2 mm) below top surface of socket

Date Issued: February 20, 2001

TS-0362-09
Sheet 1 of 2

17

Physical

Insulation

Material: Glass Filled Polysulfone
Flammability: UL 94V-0
Color: Green

Marking: 3M Logo & Part Number Identifier

Contact

Material: Beryllium Copper
Plating: 30 μ " (0.76 μ m) Gold over 50 μ " (1.3 μ m) Nickel

Electrical

Current Rating: 1 Amp
Insulation Resistance: $>1 \times 10^9 \Omega$ at 500 Vdc
Withstanding Voltage: 1000 Vrms at Sea Level

Environmental

Operating Temperature Rating: - 55° C to +150° C

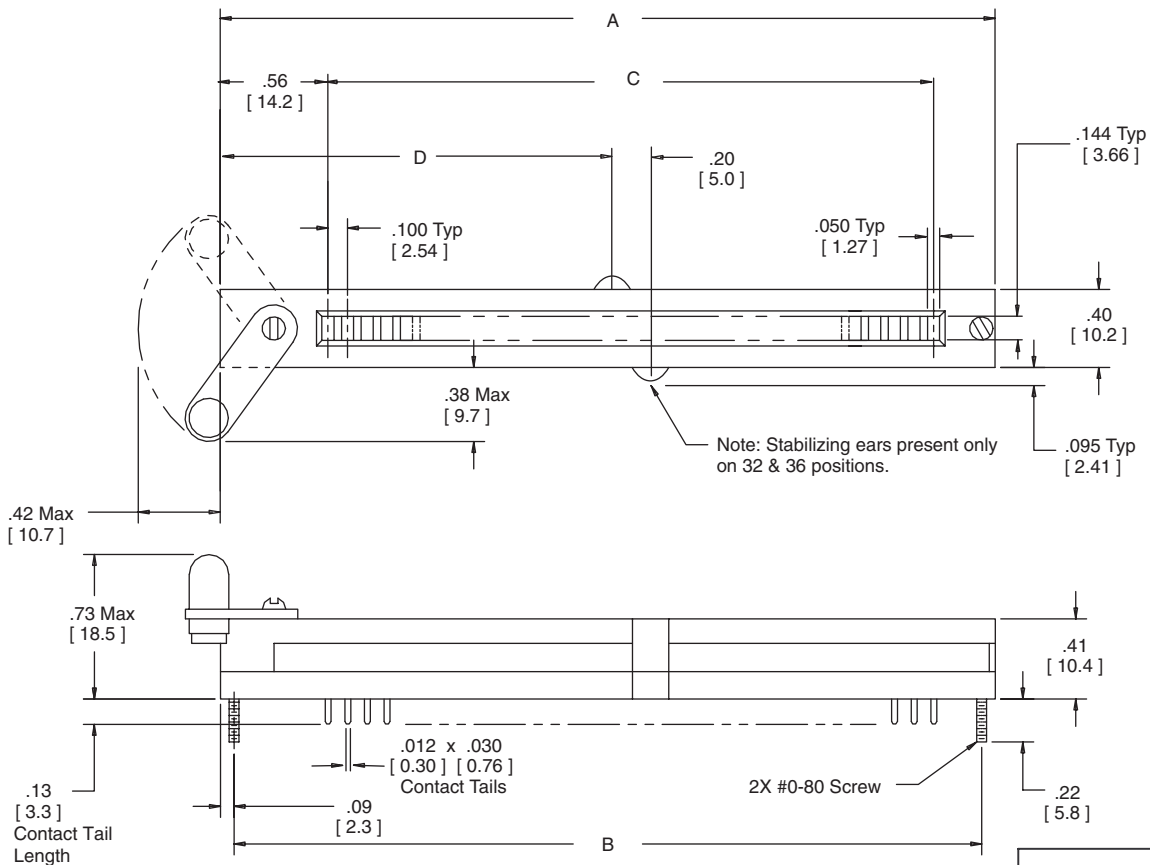
3M Electronic Handling and Protection Division

6801 River Place Blvd.
Austin, TX 78726-9000

For technical, sales or ordering information call **800-328-0411**
or visit our website: <http://www.3M.com/ehpd>

.100" [2.54 mm] In-Line ZIP Strip Sockets

Contact Quantity	Dimensions			
	A	B	C	D
10	1.77 [45.0]	1.60 [40.8]	.900 [22.86]	N/A
20	2.77 [70.4]	2.57 [65.3]	1.900 [48.26]	N/A
24	3.15 [80.0]	2.97 [75.4]	2.300 [58.42]	N/A
32	3.97 [100.8]	3.81 [96.8]	3.100 [78.74]	2.00 [50.8]
36	4.35 [110.5]	4.17 [105.9]	3.500 [88.90]	2.28 [57.8]



Dimension	Tolerance	
	inch	mm
	.00 (.0)	.000 (.00)
Tolerance	± .010 (± .25)	± .005 (± .13)

Ordering Information

Socket Part Number	Contact Quantity
210-2599-00-0602	10
220-2600-00-0602	20
224-5809-00-0602	24
232-2601-00-0602	32
236-6225-00-0602	36

TS-0362-09
Sheet 2 of 2

3M Electronic Handling and Protection Division

6801 River Place Blvd.
Austin, TX 78726-9000

For technical, sales or ordering information call 800-328-0411
or visit our website: <http://www.3M.com/ehpd>