

# .050" (1.27 mm) x .100" (2.54 mm) Staggered ZIP Strip Sockets

32 Position



- For devices with .050" (1.27 mm) lead centers formed in staggered rows with .100" (2.54 mm) between centers and rows
- Socket with top-plate cover requires vertical insertion of leads
- Frequently used in pairs to handle devices with standard leads on opposite sides of the package
- Order left and right hand strips separately to obtain a complete pair
- Lever actuated zero insertion force mechanism

Date Issued: February 20, 2001

TS-0363-09  
Sheet 1 of 2

19

---

## Physical

### Insulation

Material: Glass Filled Polysulfone  
Flammability: UL 94V-0  
Color: Green

**Marking:** 3M Logo & Part Number Identifier

### Contact

Material: Beryllium Copper  
Plating: 30  $\mu$ " (0.76  $\mu$ m) Gold over 50  $\mu$ " (1.3  $\mu$ m) Nickel

---

## Electrical

**Current Rating:** 1 Amp  
**Insulation Resistance:**  $> 1 \times 10^9 \Omega$  at 500 Vdc  
**Withstanding Voltage:** 1000 Vrms at Sea Level

---

## Environmental

**Operating Temperature Rating:** - 55° C to +150° C

---

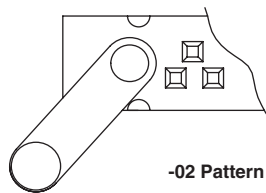
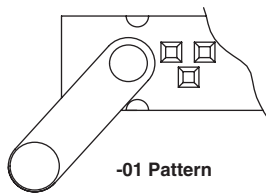
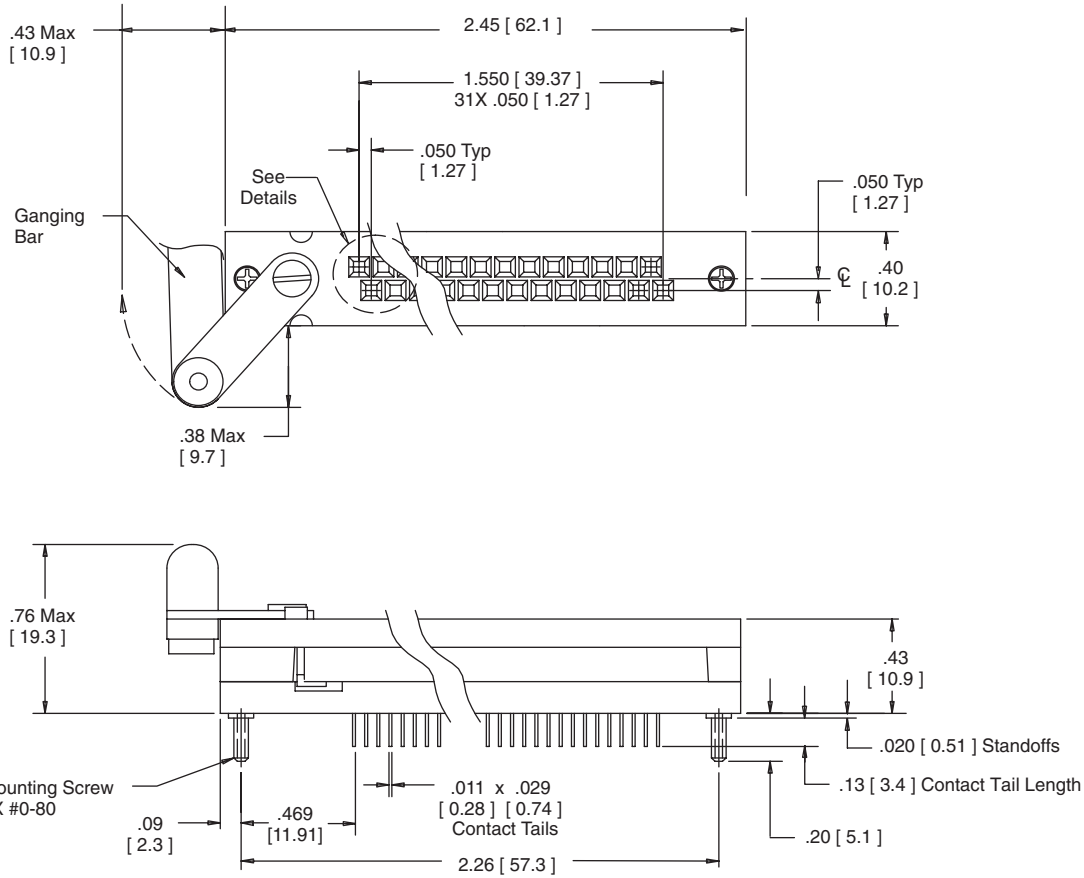
### 3M Electronic Handling and Protection Division

6801 River Place Blvd.  
Austin, TX 78726-9000

For technical, sales or ordering information call **800-328-0411**  
or visit our website: <http://www.3M.com/ehpd>

# .050" (1.27 mm) x .100" (2.54 mm) Staggered ZIP Strip Sockets

32 Position



	Tolerance $\frac{\text{inch}}{\text{(mm)}}$	
Dimension	$\frac{.00}{(.0)}$	$\frac{.000}{(.00)}$
Tolerance	$\frac{\pm .010}{(\pm .25)}$	$\frac{\pm .005}{(\pm .13)}$

## Ordering Information

Socket Part Number	Contact Quantity
232-1270-01-0602J	32
232-1270-02-0602J	32

Contact Pattern:

TS-0363-09  
Sheet 2 of 2

## 3M Electronic Handling and Protection Division

6801 River Place Blvd.  
Austin, TX 78726-9000

For technical, sales or ordering information call **800-328-0411**  
or visit our website: <http://www.3M.com/ehpd>